



SPRING MOUNTS

(Type "Y-2-100" Series 1" Deflection)

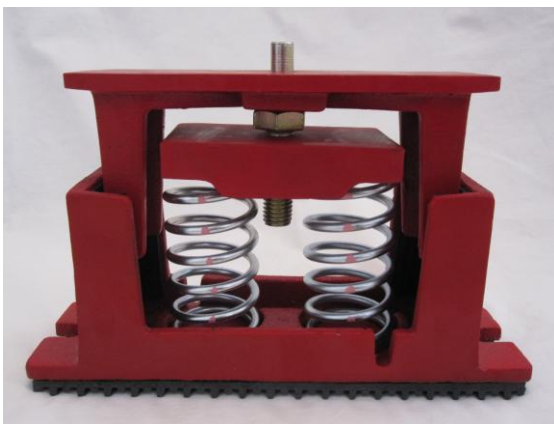
Type "Y-2" series mounts with one inch deflection solve troublesome vibration problems. These mounts are preferred over most rubber mounts due to their higher static deflection. "Y-2" type spring mounts are designed for noise and vibration control application in critical areas on concrete.



YE – 2 (Bolt Top)



YF – 2 (Flat Top)



YP – 2 (Pin Top)

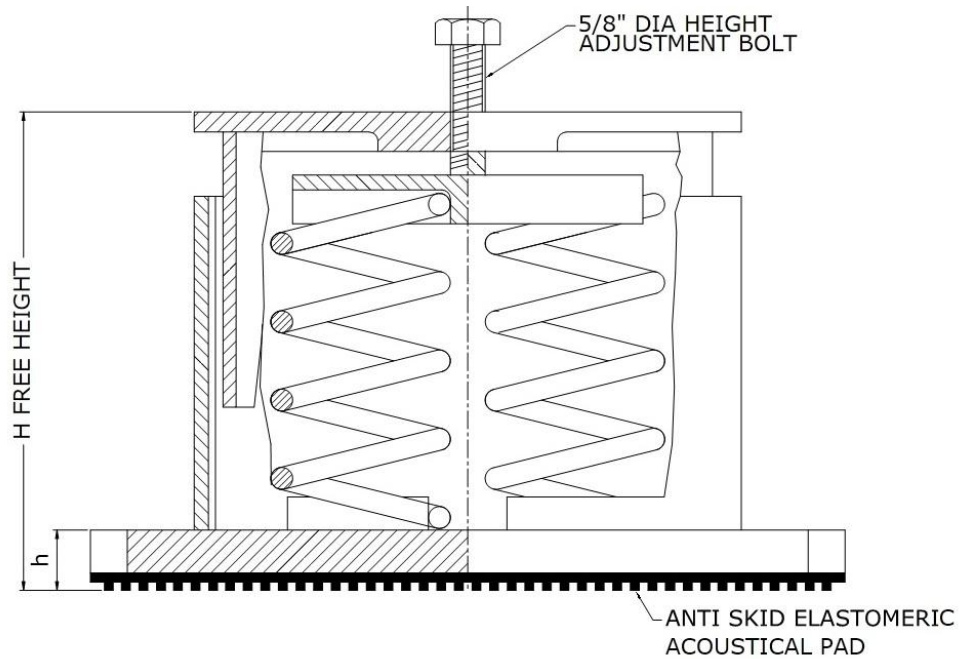
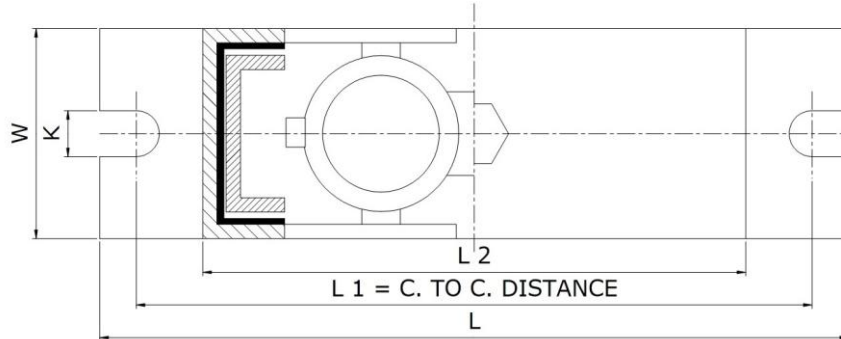


YN – 2 (Neoprene Top)

Above products will also be available in blue



ANDRE HVAC International Inc



MODEL	ADJUSTMENT	DIMENSION IN INCHES						
		L	L1	L2	W	K	H	h
YE-2 (BOLT TOP)	EXTERNAL	10-1/4	9-1/4	7-3/4	2-7/8	5/8	5-3/4	11/16
YP-2 (PIN TOP)	INTERNAL	10-1/4	9-1/4	7-3/4	2-7/8	5/8	5-7/8	11/16
YF-2 (FLAT TOP)	INTERNAL	10-1/4	9-1/4	7-3/4	2-7/8	5/8	5-7/8	11/16
YN-2 (NEOPRENE TOP)	INTERNAL	10-1/4	9-1/4	7-3/4	2-7/8	5/8	6-1/8	11/16



ANDRE HVAC International Inc

FEATURES:

The Y-2 features a three piece cast iron and powder coated housing for the spring. The mounts are provided with slotted mounting holes and a non-skid elastomeric acoustic pad on the base for bolting to the floor. Resilient elastomeric rubbers on the inner panel prevent metal to metal contact and allow the springs to function properly. These mounts have a built in leveling device (external or internal). These spring mounts can also be supplied with flat top or non-skid neoprene top in case of internal level adjustment. All springs are hot dip galvanized.

APPLICATION:

For all air conditioning equipments, compressors, air handling units, centrifugal fans, pumps, chillers and other similar application.

NOTE:

Adjust mounting so that upper housing clears the lower housing by at least 1/4" but not more than 1/2".

x = (Model Types E, P, F or N see above)

ISOLATOR MODEL	RATED LOAD (LBS)	RATED DEFLECTION (INCH)	COLOR	
			MAIN	STRIPE
Yx-2-111	170	1.4	Silver	Pink
Yx-2-112	230	1.3	Silver	Black
Yx-2-113	340	1.3	Silver	Blue
Yx-2-114	450	1.3	Silver	Yellow
Yx-2-115	650	1.2	Silver	Brown
Yx-2-116	900	1.2	Silver	Red
Yx-2-117	1200	1.2	Silver	Purple
Yx-2-118	1500	1.1	Silver	Orange
Yx-2-119	1800	1.0	Silver	Green
Yx-2-120	2200	0.8	Silver	Gray
Yx-2-121	2600	0.8	Silver	White
Yx-2-122	3000	1.0	Silver	Gold
Yx-2-111-123	1522	1.0	Silver/Silver	Pink/NIL
Yx-2-112-123	1578	1.0	Silver/Silver	Black/NIL
Yx-2-113-123	1662	1.0	Silver/Silver	Blue/NIL
Yx-2-114-123	1748	1.0	Silver/Silver	Yellow/NIL
Yx-2-115-123	1942	1.0	Silver/Silver	Brown/NIL
Yx-2-116-123	2150	1.0	Silver/Silver	Red/NIL
Yx-2-117-123	2400	1.0	Silver/Silver	Purple/NIL
Yx-2-118-123	2764	1.0	Silver/Silver	Orange/NIL
Yx-2-119-123	3200	1.0	Silver/Silver	Green/NIL
Yx-2-120-123	3320	0.8	Silver/Silver	Gray/NIL
Yx-2-121-123	3720	0.8	Silver/Silver	White/NIL
Yx-2-122-123	4400	1.0	Sliver/Silver	Gold/NIL