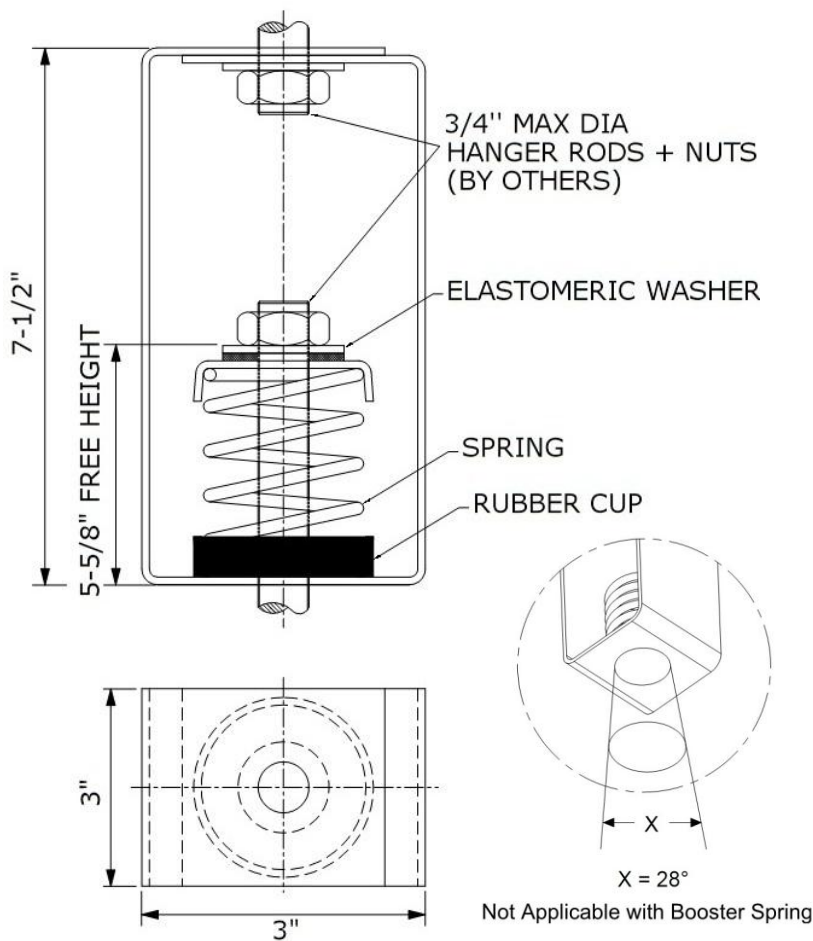




SPRING HANGERS (SHC- 200 Series 2" Deflection)

SHC series spring hangers are large diameter steel springs housed in rectangular steel brackets. The assembly incorporates dual (Steel and Elastomer) washers for uniform load distribution and high frequency isolation. These spring hangers are normally used in critical areas where noise and vibration need to be controlled.



NOTES:

- Bracket: Blue Powder Coated
- Spring: Hot Dip Galvanized
- Bottom Cup: Neoprene
- Design allows angular hanger misalignment
- Hanger Rods and Nuts not included

APPLICATIONS:

- Fan Coil Units
- Air Handling Units
- Fans
- Pipes
- Ducts



ANDRE HVAC International Inc

HANGER MODEL	RATED LOAD (LBS)	RATED DEFLECTION (INCH)	COLOR	
			MAIN	STRIPE
SHC-200	100	2.25	SILVER	BLUE
SHC-201	200	2.25	SILVER	BLACK
SHC-202	375	2.0	SILVER	RED
SHC-203	500	2.0	SILVER	GREEN
SHC-204	714	2.0	SILVER	GRAY
SHC-205	1430	2.0	SILVER	WHITE
SHC-207	1892	2.0	SILVER	YELLOW
SHC-200-206	690	2.0	SILVER	BLUE
SHC-201-206	778	2.0	SILVER	BLACK
SHC-202-206	976	2.0	SILVER	RED
SHC-203-206	1100	2.0	SILVER	GREEN
SHC-204-206	1314	2.0	SILVER	GRAY
SHC-205-206	2030	2.0	SILVER	WHITE
SHC-207-206	2492	2.0	SILVER	YELLOW