



SPRING MOUNTS

(Type "Y-2-200" Series 2" Deflection)

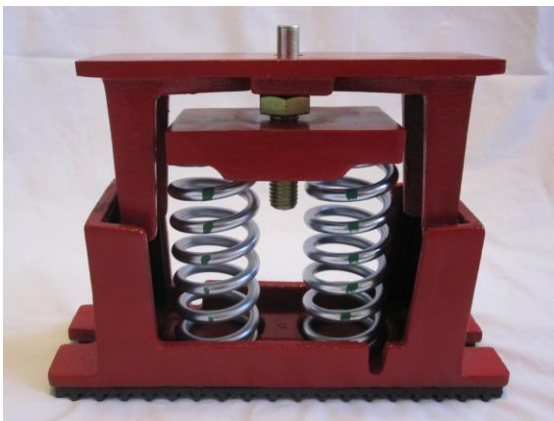
Type "Y-2" series mounts with two inch deflection solve critical vibration problems. These mounts are preferred over one inch deflection spring mounts and most rubber mounts due to their higher static deflection. These mounts are normally recommended for building structures where negligible vibration transmission to the building is required. "Y-2" type spring mounts with two inch deflection are designed for noise and vibration control application in critical areas on concrete.



YE – 2 (Bolt Top)



YF – 2 (Flat Top)



YP – 2 (Pin Top)

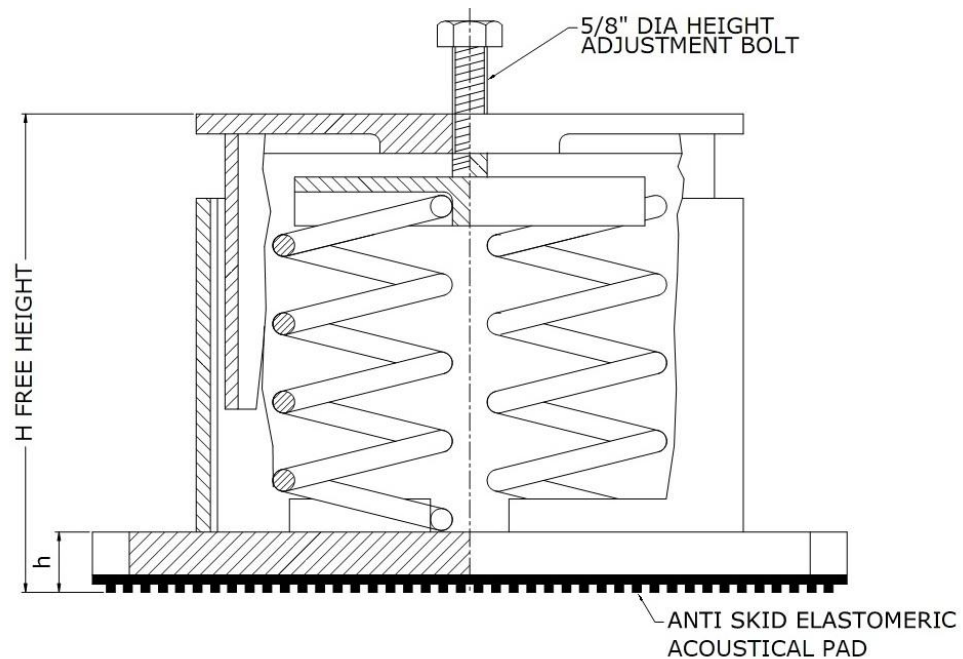
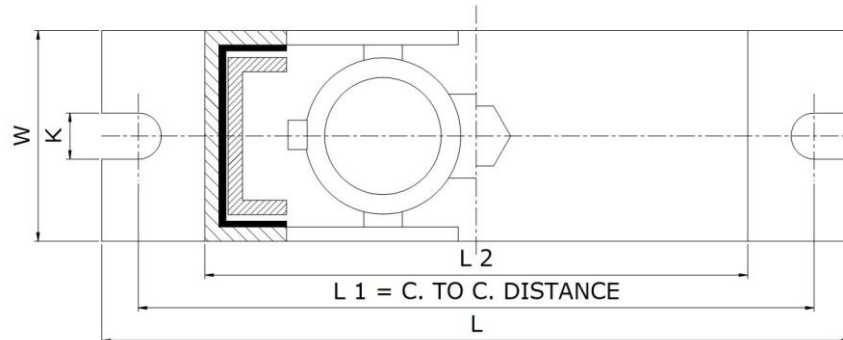


YN – 2 (Neoprene Top)

Above products will also be available in blue



ANDRE HVAC International Inc



MODEL	ADJUSTMENT	DIMENSION IN INCHES						
		L	L1	L2	W	K	H	h
YE-4 (BOLT TOP)	EXTERNAL	10-1/4	9-1/4	7-3/4	2-7/8	5/8	6-3/4	11/16
YP-4 (PIN TOP)	INTERNAL	10-1/4	9-1/4	7-3/4	2-7/8	5/8	7-1/4	11/16
YF-4 (FLAT TOP)	INTERNAL	10-1/4	9-1/4	7-3/4	2-7/8	5/8	7-1/4	11/16
YN-4 (NEOPRENE TOP)	INTERNAL	10-1/4	9-1/4	7-3/4	2-7/8	5/8	7-1/2	11/16



FEATURES:

The Y-2 features a three piece cast iron and powder coated housing for the spring. The mounts are provided with slotted mounting holes and a non-skid elastomeric acoustic pad on the base for bolting to the floor. Resilient elastomeric rubbers on the inner panel prevent metal to metal contact and allow the springs to function properly. These mounts have a built in leveling device (external or internal). These spring mounts can also be supplied with flat top or non-skid neoprene top in case of internal level adjustment. All springs are hot dip galvanized.

APPLICATION:

For all air conditioning equipments, compressors, air handling units, centrifugal fans, pumps, chillers and other similar application.

NOTE:

Adjust mounting so that upper housing clears the lower housing by at least 1/4" but not more than 1/2".

x = (Model Types E, P, F or N see above)

ISOLATOR MODEL	RATED LOAD (LBS)	RATED DEFLECTION (INCH)	COLOR	
			MAIN	STRIPE
Yx-2-200	200	2.25	Silver	Blue
Yx-2-201	400	2.25	Silver	Black
Yx-2-202	750	2.0	Silver	Red
Yx-2-203	1000	2.0	Silver	Green
Yx-2-204	1428	2.0	Silver	Gray
Yx-2-205	2860	2.0	Silver	White
Yx-2-207	3784	2.0	Silver	Yellow
Yx-2-200-206	1380	2.0	Silver/Silver	Blue/White
Yx-2-201-206	1556	2.0	Silver/Silver	Black/White
Yx-2-202-206	1952	2.0	Silver/Silver	Red/White
Yx-2-203-206	2200	2.0	Silver/Silver	Green/White
Yx-2-204-206	2628	2.0	Silver/Silver	Gray/White
Yx-2-205-206	4060	2.0	Silver/Silver	White/White
Yx-2-207-206	4984	2.0	Silver/Silver	Yellow/White