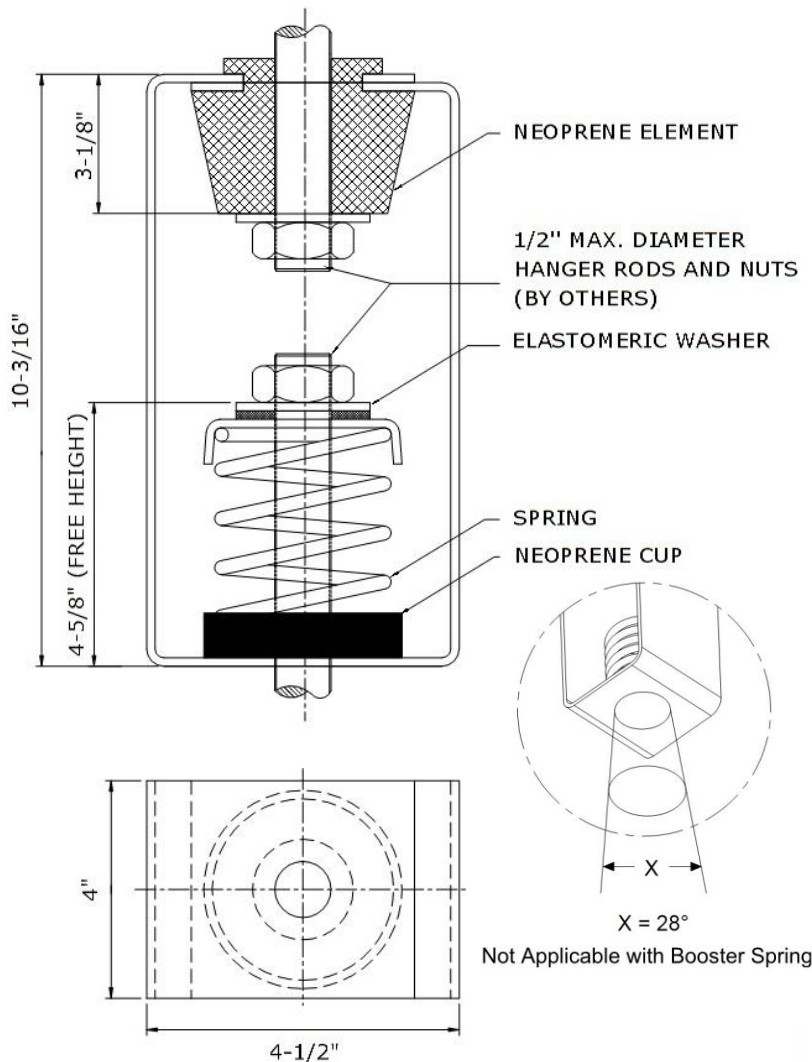




NEO-SPRING HANGERS

(SHNB - 100 Series 1" Deflection)

SHNB series spring hangers are large diameter steel springs housed in rectangular steel brackets. The assembly incorporates dual (Steel and Elastomer) washers for uniform load distribution and high frequency isolation. These spring hangers are normally used in critical areas where noise and vibration need to be controlled.



NOTES:

- Bracket: Blue Powder Coated
- Spring: Hot Dip Galvanized
- Bottom Cup: Neoprene
- Top Element: Neoprene
- Design allows angular hanger misalignment
- Hanger Rods and Nuts not included

APPLICATIONS:

- Fan Coil Units
- Air Handling Units
- Fans
- Pipes
- Ducts



ANDRE HVAC International Inc

ISOLATOR MODEL	RATED LOAD (LBS)	RATED DEFLECTION (INCH)	COLOR		
			MAIN	STRIPE	NEOPRENE ELEMENT
SHNB-3C-118	750	1.1	SILVER	ORANGE	GREEN
SHNB-3C-119	900	1.0	SILVER	GREEN	GREEN
SHNB-3D-120	1100	0.8	SILVER	GRAY	BLACK
SHNB-3D-121	1300	0.8	SILVER	WHITE	BLACK
SHNB-3D-122	1500	1.0	SILVER	GOLD	BLACK
SHNB-3C-111-123	761	1.0	SILVER/SILVER	PINK/NIL	GREEN
SHNB-3C-112-123	789	1.0	SILVER/SILVER	BLACK/NIL	GREEN
SHNB-3C-113-113	831	1.0	SILVER/SILVER	BLUE/NIL	GREEN
SHNB-3C-114-123	874	1.0	SILVER/SILVER	YELLOW/NIL	GREEN
SHNB-3D-115-123	971	1.0	SILVER/SILVER	BROWN/NIL	BLACK
SHNB-3D-116-123	1075	1.0	SILVER/SILVER	RED/NIL	BLACK
SHNB-3D-117-123	1200	1.0	SILVER/SILVER	PURPLE/NIL	BLACK
SHNB-3D-118-123	1382	1.0	SILVER/SILVER	ORANGE/NIL	BLACK
SHNB-4B-119-123	1600	1.0	SILVER/SILVER	GREEN/NIL	RED
SHNB-4B-120-123	1660	0.8	SILVER/SILVER	GRAY/NIL	RED
SHNB-4B-121-123	1860	0.8	SILVER/SILVER	WHITE/NIL	RED
SHNB-4B-122-123	2200	1.0	SILVER/SILVER	GOLD/NIL	RED