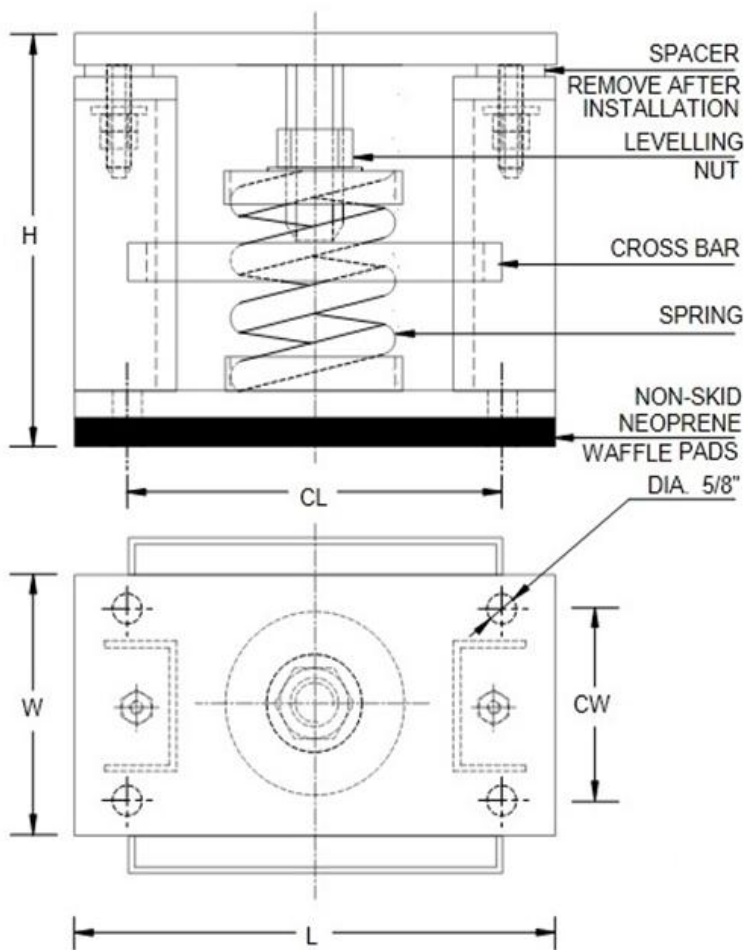




## SEISMIC SPRING MOUNTS

(Type "SSR-C-300" Series 3" Deflection)

Seismic spring mounts type **SSR-C-300** series are heavy duty steel spring isolators with built in all directional snubbing. The snubbing element is a high quality molded neoprene. The housing is made of steel construction with galvanized finish. The spring is made of powder coated steel.



Isolator Model	W	H	L	CW	CL
SSR-C-300	7.5	12.8	14	5.6	12.1

*\*All dimensions are in inches*



ISOLATOR MODEL	RATED LOAD (LBS)	RATED DEFLECTION (INCH)	COLOR	
			MAIN	STRIPE
SSRC-304	4500	4.5	Silver	Black
SSRC-305	5500	4.2	Silver	Blue
SSRC-306	7000	3.8	Silver	Yellow
SSRC-307	9000	3.5	Silver	Red

### FEATURES:

- Built-in leveling device
- Welded construction
- Anti-skid elastomeric acoustical pad
- Springs are color-coded for easy field verification
- Mounting holes furnished as standard
- High deflection, low natural frequency
- Large diameter laterally stable springs

### APPLICATION:

Used for air conditioning equipments such as compressors, air handling units, centrifugal fans, pumps, cooling towers and chillers.