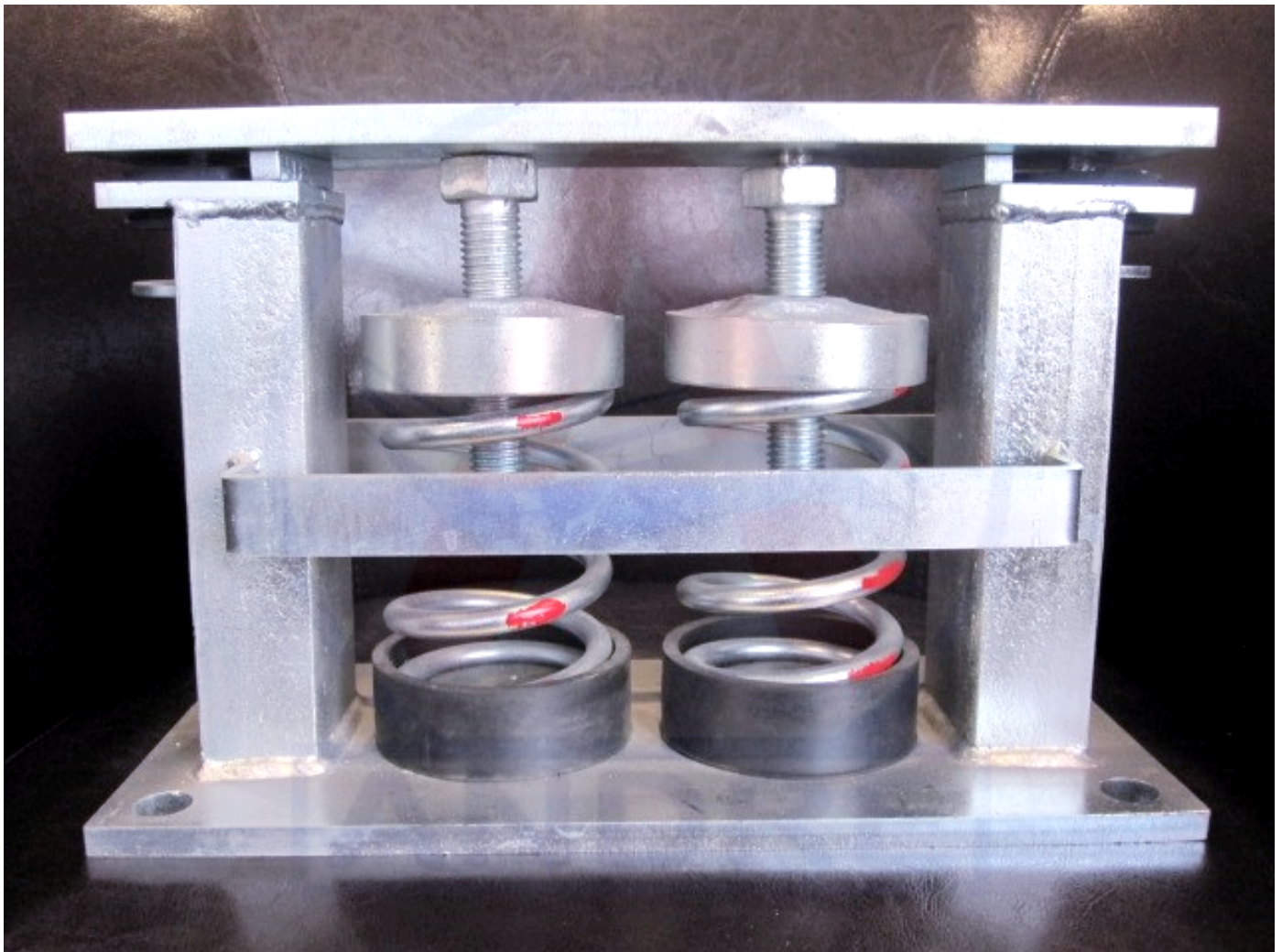




RESTRAINED SEISMIC SPRING MOUNTS

(Type "SSR-2-200" Series 2" Deflection)

Restrained seismic spring mounts type **SSR-2-200** series are heavy duty steel spring isolators with built in all directional snubbing. The snubbing element is a high quality molded neoprene. The housing is made of steel construction with galvanized finish. The spring is made from steel wire with galvanized finish.



FEATURES:

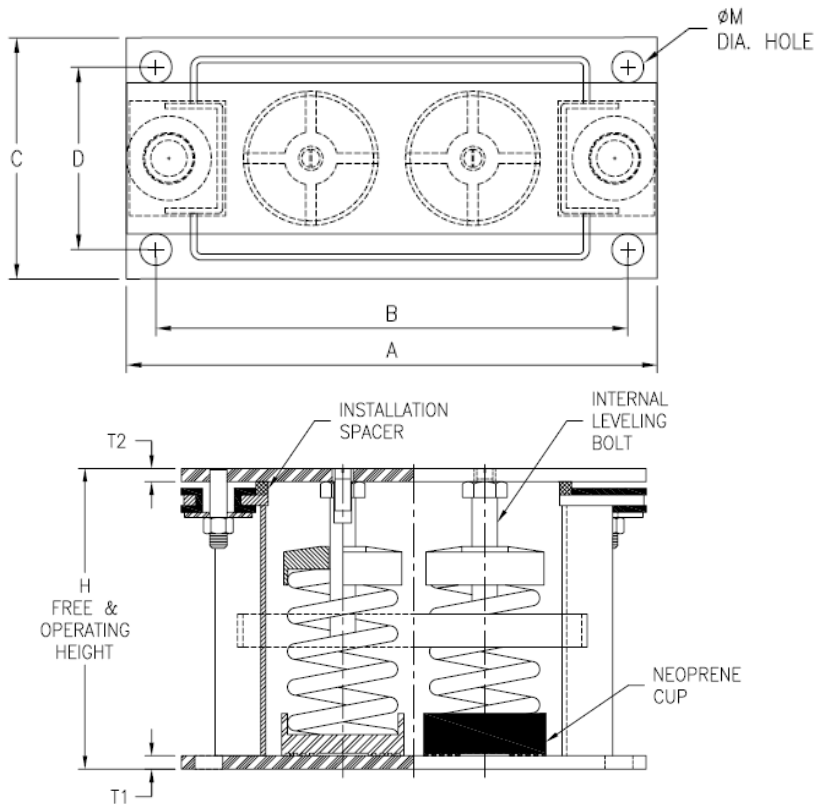
- Built-in leveling device
- Welded construction
- Anti-skid elastomeric acoustical cup
- Springs are color-coded for easy field verification
- Mounting holes furnished as standard
- High deflection, low natural frequency
- Large diameter laterally stable springs

APPLICATION:

Used for air conditioning equipment such as compressors, air handling units, centrifugal fans, pumps, cooling towers and chillers.



ANDRE HVAC International Inc



MODEL	DIMENSION IN INCHES							
	A	B	C	D	M	T1	T2	H
SSR-2	14	12.5	6.3	4.92	0.75	0.5	0.375	9

ISOLATOR MODEL	RATED LOAD (LBS)	RATED DEFLECTION (INCH)	SPRING COLOR	
			MAIN	STRIPE
SSR-2-251	220	2.0	Silver	Blue
SSR-2-252	280	2.0	Silver	Yellow
SSR-2-253	360	2.0	Silver	Black
SSR-2-254	480	2.0	Silver	Purple
SSR-2-255	660	2.0	Silver	Brown
SSR-2-256	920	2.0	Silver	Red
SSR-2-257	1372	2.0	Silver	Orange
SSR-2-256-203	1932	2.0	Silver	Red / Green
SSR-2-256-204	2348	2.0	Silver	Red / Gray
SSR-2-257-204	2800	2.0	Silver	Orange / Gray / Gray
SSR-2-257-204-208	3100	2.0	Silver	Orange / Gray / Orange
SSR-2-257-204-209	3360	2.0	Silver	Orange / Gray / Brown
SSR-2-256-205	3780	2.0	Silver	Red / White
SSR-2-257-205	4232	2.0	Silver	Orange / White
SSR-2-256-207	4584	2.0	Silver	Red / Yellow
SSR-2-257-207	5036	2.0	Silver	Orange / Yellow
SSR-2-257-207-208	5336	2.0	Silver	Orange / Yellow / Orange
SSR-2-257-207-209	5596	2.0	Silver	Orange / Yellow / Brown