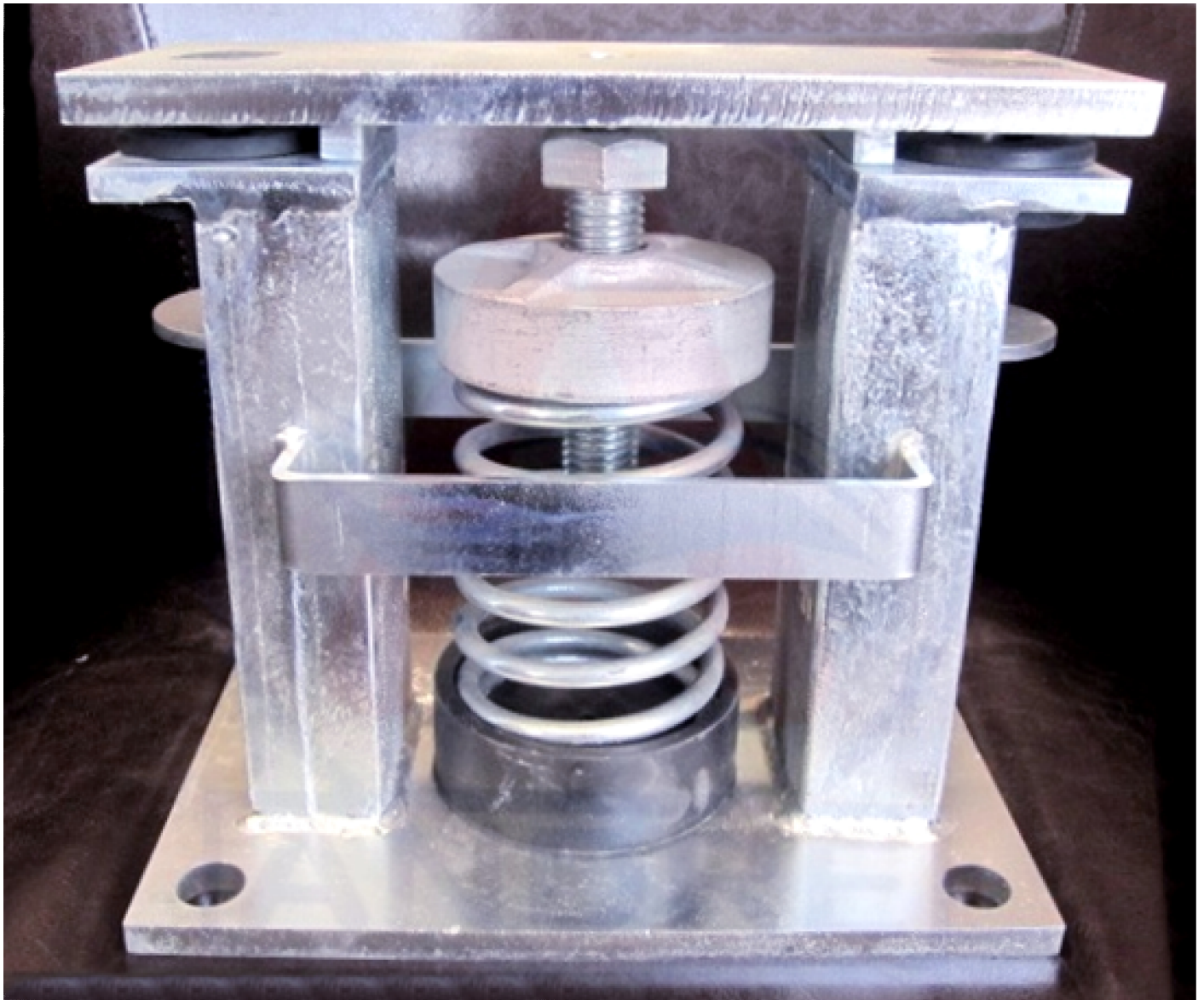


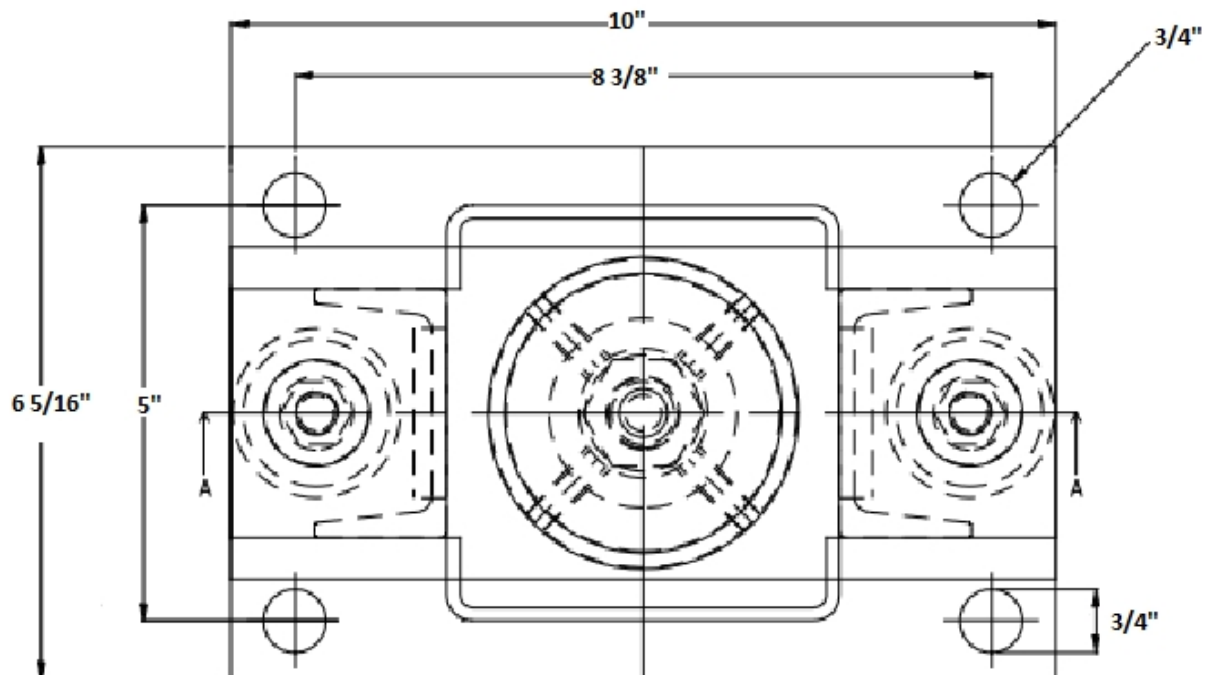
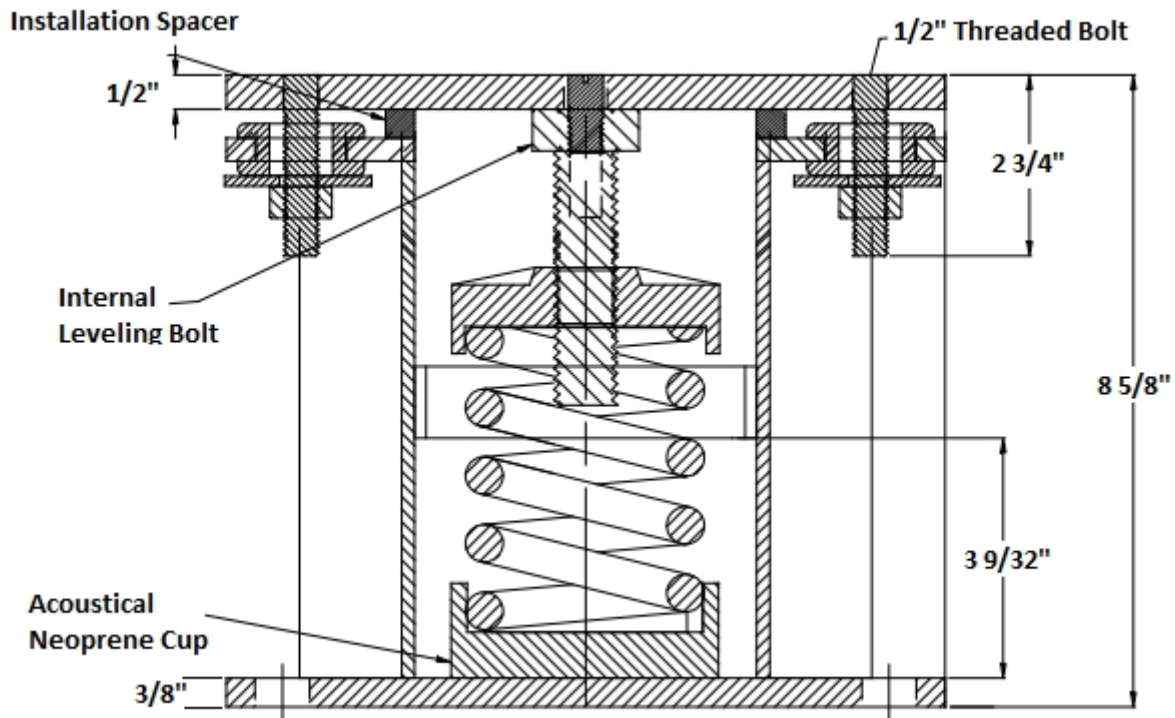


## **RESTRAINED SPRING MOUNTS**

(Type "SSR-1-200" Series 2" Deflection)

Restrained seismic spring mounts type **SSR-1-200** series are heavy duty steel spring isolators with built in all directional snubbing. The snubbing element is a high quality molded neoprene. The housing is made of steel construction with galvanized finish. The spring is made from steel wire with galvanized finish.







ISOLATOR MODEL	RATED LOAD (LBS)	RATED DEFLECTION (INCH)	COLOR	
			MAIN	STRIPE
SSR-1-251	110	2.0	Silver	Blue
SSR-1-252	140	2.0	Silver	Yellow
SSR-1-253	180	2.0	Silver	Black
SSR-1-254	240	2.0	Silver	Purple
SSR-1-255	330	2.0	Silver	Brown
SSR-1-256	460	2.0	Silver	Red
SSR-1-257	686	2.0	Silver	Orange
SSR-1-256-203	966	2.0	Silver	Red / Green
SSR-1-256-204	1174	2.0	Silver	Red / Gray
SSR-1-257-204	1400	2.0	Silver	Orange / Gray
SSR-1-257-204-208	1550	2.0	Silver	Orange / Gray / Orange
SSR-1-257-204-209	1680	2.0	Silver	Orange / Gray / Brown
SSR-1-256-205	1890	2.0	Silver	Red / White
SSR-1-257-205	2116	2.0	Silver	Orange / White
SSR-1-256-207	2292	2.0	Silver	Red / Yellow
SSR-1-257-207	2518	2.0	Silver	Orange / Yellow
SSR-1-257-207-208	2668	2.0	Silver	Orange / Yellow / Orange
SSR-1-257-207-209	2798	2.0	Silver	Orange / Yellow / Brown

## FEATURES:

- Built-in leveling device
- Welded construction
- Anti-skid elastomeric acoustical cup
- Springs are color-coded for easy field verification
- Mounting holes furnished as standard
- High deflection, low natural frequency
- Large diameter laterally stable springs

## APPLICATION:

Used for air conditioning equipments such as compressors, air handling units, centrifugal fans, pumps, cooling towers and chillers.