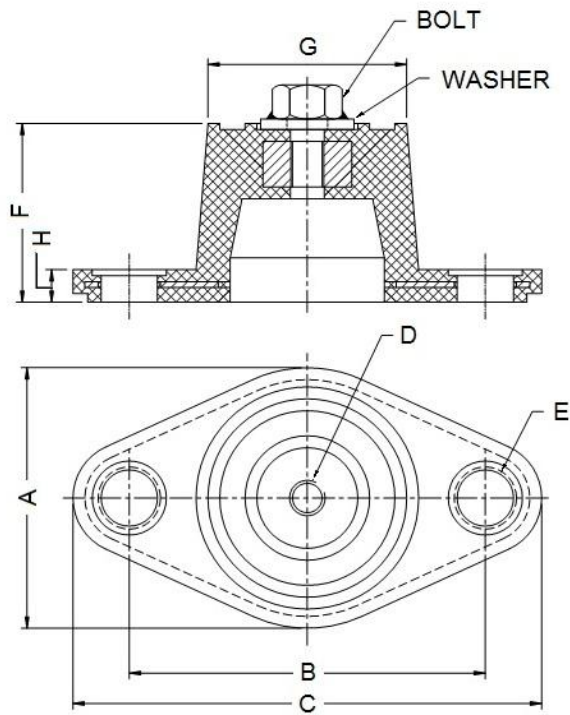




RUBBER IN SHEAR MOUNT (RMD Series Double Deflection)

RMD Series are elastomeric mounts which provide effective vibration control for all types of rotating machines. The RMD Series double deflection rubber in shear mounts are color coded for identification of loading capacity and prevents installation errors. The RMD Series have ribbed and non-skid bases. No bolting of anchor bolts is required for machines that have no lateral motion.



NOTES:

- Models RMD-C and RMD-D have rectangular bases
- Drawing: Not to Scale

FEATURES:

- Anti-skid top and bottom surfaces
- Mounting holes provided as standard.
- Embedded steel plates for uniform loading.
- Oil and water resistant
- High deflection
- Color coded for easy identification.

APPLICATIONS:

- Air handling units
- Compressors
- Fans
- Pumps
- HVAC Equipments
- Generators
- Transformers

RMD Isolator Information is listed on the following page.



ANDRE HVAC International Inc

Isolator Model	Max Load (lbs)	Deflection (inches)	Isolator Dimensions (inches)								Color
			A	B	C	D	E	F	G	H	
RMD-A-1	30	0.35	1-3/4	2-3/8	3-1/8	1/4	11/32	1-1/4	1-3/8	3/16	Blue
RMD-A-2	40	0.35	1-3/4	2-3/8	3-1/8	1/4	11/32	1-1/4	1-3/8	3/16	Red
RMD-A-3	70	0.35	1-3/4	2-3/8	3-1/8	1/4	11/32	1-1/4	1-3/8	3/16	Green
RMD-A-4	115	0.35	1-3/4	2-3/8	3-1/8	1/4	11/32	1-1/4	1-3/8	3/16	Black
RMD-B-1	130	0.40	2-3/8	3	3-7/8	3/8	11/32	1-3/4	1-3/4	7/32	Blue
RMD-B-2	165	0.40	2-3/8	3	3-7/8	3/8	11/32	1-3/4	1-3/4	7/32	Red
RMD-B-3	235	0.40	2-3/8	3	3-7/8	3/8	11/32	1-3/4	1-3/4	7/32	Green
RMD-B-4	375	0.40	2-3/8	3	3-7/8	3/8	11/32	1-3/4	1-3/4	7/32	Black
RMD-C-1	200	0.50	2-3/8	3-1/8	4	3/8	1/2	2	1-3/4	1/4	Blue
RMD-C-2	300	0.50	2-3/8	3-1/8	4	3/8	1/2	2	1-3/4	1/4	Red
RMD-C-3	400	0.50	2-3/8	3-1/8	4	3/8	1/2	2	1-3/4	1/4	Green
RMD-C-4	500	0.50	2-3/8	3-1/8	4	3/8	1/2	2	1-3/4	1/4	Black
RMD-D-1	750	0.50	3-5/8	4-3/4	5-7/8	1/2	9/16	3-1/2	2-3/4	3/8	Blue
RMD-D-2	1000	0.50	3-5/8	4-3/4	5-7/8	1/2	9/16	3-1/2	2-3/4	3/8	Red
RMD-D-3	1500	0.50	3-5/8	4-3/4	5-7/8	1/2	9/16	3-1/2	2-3/4	3/8	Green
RMD-D-4	2200	0.50	3-5/8	4-3/4	5-7/8	1/2	9/16	3-1/2	2-3/4	3/8	Black