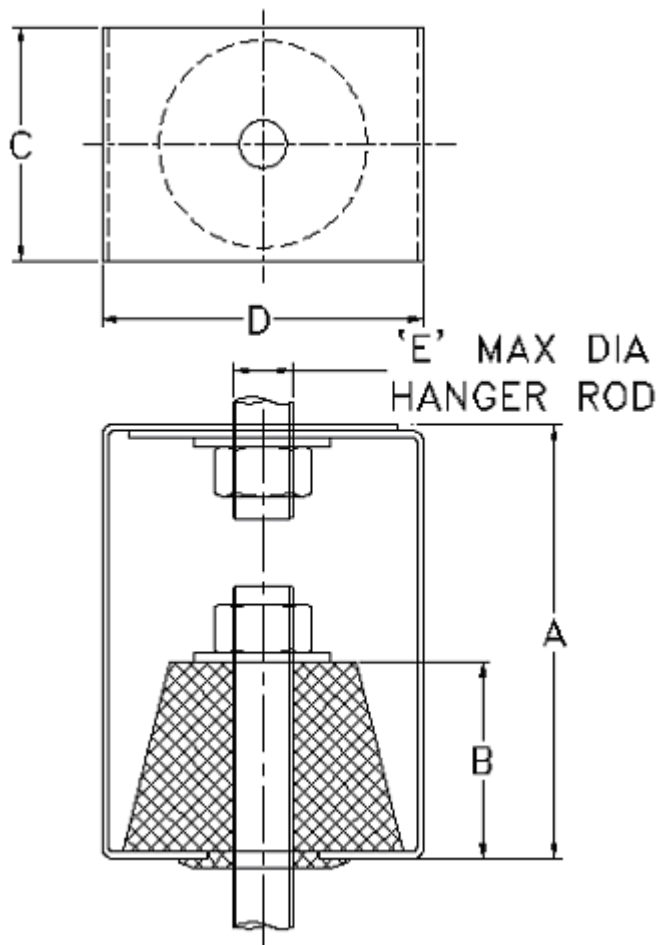




RUBBER IN SHEAR HANGERS

(NHD Series Double Deflection)

NHD Series hangers are neoprene elements housed in sturdy steel brackets. The element includes a top and bottom steel plates for uniform load distribution. "D" stands for double deflection for neoprene elements. All elements are color coded for ease of identification. Element incorporates projected collar to prevent metal to metal contact between rod and bracket. **NHD** Series hangers are used for hanging machines like fan coil units and fans etc.





ANDRE HVAC International Inc

ISOLATOR MODEL	MAX LOAD (LBS)	DEFLECTION (INCHES)	ISOLATOR DIMENSIONS (INCHES)					COLOR
			A	B	C	D	E	
NHD-1-A	30	2\5	3	1-3/8	2	2-1/4	3/8	BLUE
NHD-1-B	40	2\5	3	1-3/8	2	2-1/4	3/8	RED
NHD-1-C	70	2\5	3	1-3/8	2	2-1/4	3/8	GREEN
NHD-1-D	115	2\5	3	1-3/8	2	2-1/4	3/8	BLACK
NHD-2-A	165	1\2	4-1/2	1-7/8	2-1/4	3	1/2	BLUE
NHD-2-B	235	1\2	4-1/2	1-7/8	2-1/4	3	1/2	RED
NHD-2-C	375	1\2	4-1/2	1-7/8	2-1/4	3	1/2	GREEN
NHD-2-D	545	1\2	4-1/2	1-7/8	2-1/4	3	1/2	BLACK
NHD-3-C	745	1\2	6	3-1/8	3-1/2	4	1/2	GREEN
NHD-3-D	1245	1\2	6	3-1/8	3-1/2	4	1/2	BLACK
NHD-4-B	2240	1\2	6	3-1/8	4	4-1/2	5/8	RED
NHD-4-C	3000	1\2	6	3-1/8	4	4-1/2	5/8	GREEN
NHD-4-D	4000	1\2	6	3-1/8	4	4-1/2	5/8	BLACK

NOTES:

1. Nuts, washer & rods by others
2. Do not exceed maximum load by more than 5%
3. To order element only specify model NHDE instead NHD

FEATURES:

1. Element incorporates projected collar to prevent metal to metal contact between rod and bracket
2. Embedded steel plate for uniform loading
3. Oil + Water resistant element
4. Elements color-coded for easy field verification (Color coding can be by 'dot' or 'complete element')